

# Clarke®

# air



## 12V TYRE INFLATOR MODEL NO: CTC150

PART NO: 7640295

## OPERATION & MAINTENANCE INSTRUCTIONS



ORIGINAL INSTRUCTIONS

GC0921

# INTRODUCTION

Thank you for purchasing this CLARKE Tyre Inflator. The CTC150 can be used for inflating car, motorcycle and bicycle tyres, inflatable sports balls and other inflatables. The compressor is not waterproof and should not be used in any wet applications.



Before attempting to operate the product it is essential that you read this manual thoroughly and carefully follow all instructions given. In doing so you will ensure the safety of yourself and that of others around you, and you can also look forward to the product giving you long and satisfactory service

## SPECIFICATIONS

Model	CTC150
Part No	7640295
<b>Tyre Inflator</b>	
Hose length	135mm
Max working pressure	10.3 Bar/150 psi
Max flow rate	22L/min
Ingress protection	IPX0 (non-waterproof)
Duty cycle	10 mins on/10 mins off
Dimensions (L x W x H)	180 x 60 x 230 mm
Weight	0.75 kg
<b>12V Power supply</b>	
Extending cable length	2.92m
Plug type	In-car 12V plug-in adaptor

## SAFETY SYMBOLS

The following safety symbols are shown on the product and/or it's packaging. Please read all of the safety and operating instructions carefully before use..

	Read this instruction booklet carefully before use		Caution-hot surfaces
---	--	---	----------------------

---

## GENERAL SAFETY WARNINGS

---



**WARNING: WHEN USING ELECTRICAL TOOLS, BASIC SAFETY PRECAUTIONS SHOULD ALWAYS BE FOLLOWED TO REDUCE THE RISK OF FIRE, ELECTRIC SHOCK AND PERSONAL INJURY.**

**WARNING: READ ALL THESE INSTRUCTIONS BEFORE ATTEMPTING TO USE THIS PRODUCT AND KEEP THESE INSTRUCTIONS IN A SAFE PLACE.**

---

### PERSONAL SAFETY

1. **ALWAYS** stay alert, watch what you are doing and use common sense when operating the compressor. **DO NOT** use the tyre inflator while you are tired or under the influence of medication, drugs or alcohol. A moment of inattention can result in personal injury.
2. **ALWAYS** protect yourself against electric shock. Never operate the compressor in wet or damp locations.
3. **NEVER** over-reach. Keep your proper footing and balance at all times to enable better control of the tyre inflator in unexpected situations.
4. **NEVER** attempt any complex repairs yourself. If you have a technical problem contact your local CLARKE dealer.
5. **ALWAYS** store the tyre inflator out of reach of children.
6. **Keep the work area clean and well lit.** Floors should always be kept clear. Cluttered or dark areas invite accidents.
7. **DO NOT** work in enclosed areas or near naked flames.

### GENERAL PRODUCT USE AND CARE

1. **ALWAYS** thoroughly familiarise yourself with this product and its operation and always read the instructions in this manual before using the product.
2. **NEVER** use this tyre inflator if any part is damaged. If so, have it inspected and repaired by your CLARKE dealer.
3. **NEVER** attempt to modify the fittings or attachments in any way. Doing so will invalidate the guarantee and could result in personal injury.
4. **NEVER** abuse the charging cable. **NEVER** pull on the cable when removing the plug from the socket or lift the tyre inflator by the power cable.
5. **NEVER USE A TYRE INFLATOR WHICH APPEARS DEFECTIVE OR IS OPERATING ABNORMALLY:** If the tyre inflator operates unusually or makes strange noises, switch off immediately. Arrange repairs with your CLARKE dealer.

6. **BEFORE USE CHECK THE TYRE INFLATOR AND HOSE FOR DAMAGE: NEVER** use the tyre inflator if it is damaged. Have it repaired by your CLARKE dealer. **DO NOT** use if the On/Off switch does not operate correctly.
7. Keep the motor air vents clear and free from dust.
8. Take care when using this tyre inflator to inflate small, low-pressure objects such as children's toys or footballs can explode if over-inflated.
9. **ALWAYS** use in a safe area away from traffic and other hazards.
10. **ALWAYS** ensure that tyre pressure checks are carried out to the tyre and vehicle manufacturer's recommended pressures.
11. **NEVER** overstretch the power lead or high pressure hose.

## ENVIRONMENTAL RECYCLING POLICY

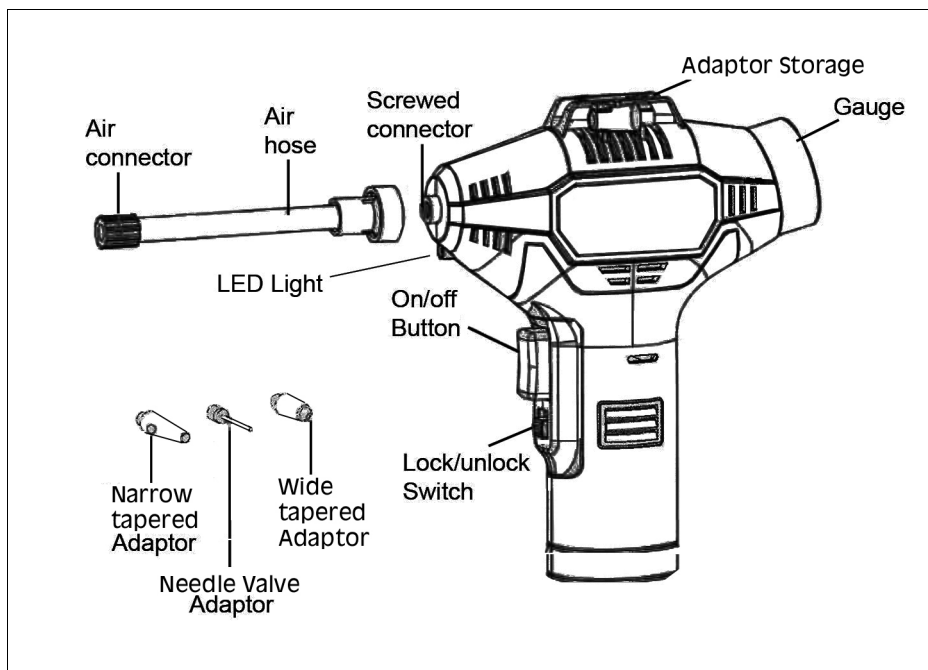


By purchasing this product, the customer is taking on the obligation to comply with current WEEE regulations.

This means that this product must not be disposed of with general household waste. It must be disposed of according to the laws governing Waste Electrical and Electronic Equipment (WEEE) at a recognised disposal facility.

This product contains valuable raw materials. Metal products should be taken to your local civic amenity site for recycling of metal products.

# OVERVIEW



## UNPACKING

After removing the tyre inflator from its packaging, check that it has not been damaged in transit. Report any damage immediately to the CLARKE dealer where the item was purchased.

## ADAPTORS

Clipped to the top of the tyre inflator are three adaptors for different uses. These are provided to inflate sports balls, air beds, small inflatables and bicycle tyres etc. To avoid over-inflation, always follow manufacturer's instructions for the item to be inflated.

- Narrow tapered adaptor
- Wide tapered adaptor
- Needle valve adaptor

---

## WORKING CONDITIONS

---

1. Make sure that the intake air is dry and dust free.
2. **DO NOT** use the tyre inflator in a damp or wet environment. The compressor should only be used with good ventilation. There should be no dust, acids, vapours, explosive or flammable gases present.
3. **NEVER** use the tyre inflator in areas where work is conducted with sprayed water.
4. **DO NOT** cover the tyre inflator. Always use it with good all-round air ventilation.

---

## USING THE TYRE INFLATOR

---

ALWAYS inspect the tyre inflator before use to ensure the power cable and high pressure hose are in good condition.

1. Power the compressor directly from the vehicle using the power cable included. Connect one end of the car charger to the bottom of the tyre inflator and the other end directly to your vehicle 12V outlet.
  2. Fit the air hose by screwing it into the end of the tyre inflator.
  3. Connect the other end of the air hose to the valve stem of the item you are inflating.
- Use the adaptor supplied to inflate sport balls including soccer, basketballs and footballs.



**NOTE:** When inflating items of 10 psi or less, inflate in short bursts and check after each burst by feel or with a calibrated measuring device to determine accurate pressure. Pressure required for most sports balls is too low for accurate reading on tool gauge.

- The manufacturer set pressure is 30 PSI and this compressor has a memory function. The gauge will indicate units of measurement and measured value.

4. Press the "SET" button to choose the desired unit (PSI, BAR, KPA, kg/cm<sup>2</sup>).



5. Press "-" or "+" button to choose the desired value. Press and hold "-" or "+" button will accelerate numerical change. After the screen flashes three times, it will show "0" and the system will enter the chosen unit.

6. Press the tyre inflator's On/Off trigger switch to start and hold this button for continuous working.



- The built-in LED light will be lit during inflation.

- For continuous inflation you can push the switch lock upwards to lock while the On/Off trigger is depressed. In this way, inflation continues without pressing any button. To stop, simply squeeze the trigger to release the locking switch.



- When the desired pressure is reached, the tyre inflator will stop working as it has pre-set function. When the desired the pressure is reached, the reading may have a +/- 1.5 psi difference. (This is normal)

- Note that the tyre inflator has a 10 mins running/10 mins resting duty cycle.

7. After use, loosen the hose and remove from the tyre inflator



**WARNING: THE HOSE MAY BE HOT AFTER USE. REMOVE CAREFULLY.**

**WARNING: IMPROPERLY ATTACHED HOSES OR ACCESSORIES CAN BECOME DETACHED UNDER PRESSURE AND CAUSE SERIOUS INJURY.**

**WARNING: POSSIBLE AIR LEAKS CAN CAUSE FAULTY PRESSURE READINGS. MAKE SURE ALL CONNECTIONS ARE TIGHTLY SECURED.**

**WARNING: THE GAUGE IS ONLY TO BE USED AS A REFERENCE, ALWAYS CARRY OUT A FINAL PRESSURE CHECK WITH A GAUGE CONFORMING TO BS EN 12645**

- When not in use, adaptors provided with the tyre inflator can be clipped to the storage area on the top of the tyre inflator.

## TYRE INFLATION

1. Fix the tyre valve connector onto the vehicle tyre valve, ensuring the valve is clean.
  - When connected correctly, the digital display will show the current pressure in the tyre. If this is the correct tyre pressure as stated in your vehicle handbook, remove the valve connector.
2. If the tyre is below the recommended pressure (as specified in your vehicle handbook), press either the '-' or '+' pre-set button to adjust the pre-set value on the display to the correct tyre pressure.



**NOTE:** The unit will default to the last tyre pressure set. You can then adjust this using the '-' or '+' buttons.

3. Press the Power Switch to 'ON'.
4. The tyre inflator will now inflate your tyre to the pre-set pressure and switch off automatically when the pressure is reached. Towards final inflation, the tyre pressure display reading will be slightly higher than the selected pressure. When the compressor stops, the final reading will be the selected pressure. This is a normal function of the unit.
5. Switch OFF the tyre inflator and remove the tyre valve connector from the tyre valve, returning the hose to its storage position.



***IMPORTANT: The '-' or '+' pre-set buttons should never be pressed while the compressor is running.***

If you leave the compressor connected to the 12V supply but do not inflate the tyre, after a few minutes the Digital Display will switch off. To turn back on, press the Pressure Format Select Button.

- When inflating tyres with normal "Schrader" valves, no adaptors need to be fitted to the hose.
- Presta valves require the adaptor to be screwed onto the valve before attaching the hose.

**CAUTION: AVOID INFLATING THE OBJECTS ABOVE THE RECOMMENDED INFLATION PRESSURE. THIS COULD LEAD TO DAMAGE AND /OR INJURIES.**

---

## **MAINTENANCE**

---

Keep the tyre inflator free of dirt and dust as far as possible. Wipe with a clean cloth or blow it down with compressed air at low pressure.

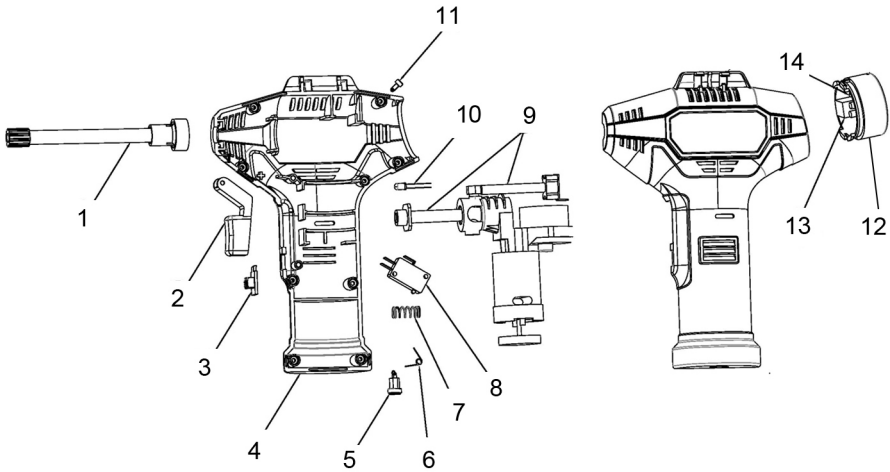
Never use cleaning agents or solvents as these may be aggressive to the plastic parts. Ensure that no water can get into the interior of the tyre inflator.

Your CLARKE tyre inflator has been designed to give long and trouble free service. If, however, having followed the instructions in this booklet carefully, you encounter problems, take the tyre inflator to your local CLARKE dealer.

The 12V plug incorporates a 15A fuse which can be replaced by unscrewing the two halves of the plug.

Store the tyre inflator in a dry location.

# COMPONENT PARTS



No	Description
1	Flexible hose attachment
2	Trigger
3	Trigger Lock switch
4	Housing
5	Power socket
6	Hair spring
7	Coil spring

No	Description
8	Switch
9	Motor/pump assembly
10	Nozzle attachment
11	Screw
12	Display housing
13	Pressure selector PCB
14	Digital display

## GUARANTEE

This CLARKE product is guaranteed against faulty manufacture for a period of 12 months from the date of purchase. Please keep your receipt as proof of purchase.

This guarantee is invalid if the product is found to have been abused or tampered with in any way, or not used for the purpose for which it was intended.

Faulty goods should be returned to their place of purchase, no product can be returned to us without prior permission. This guarantee does not effect your statutory rights.

# DECLARATIONS OF CONFORMITY



Fitzwilliam Hall, Fitzwilliam Place, Dublin 2

## DECLARATION OF CONFORMITY

This is an important document and should be retained.

We hereby declare that this product(s) complies with the following directive(s):

2014/53/EU Low Voltage Equipment Directive.  
2011/65/EU Restriction of Hazardous substances (Amendment EU 2015/863).

The following standards have been applied to the product(s):

EN 60335-1:2012+A11:2014+A13:2017, EN 62233:2008, IEC 62321-2:2013, IEC 62321-1:2013,  
IEC 62321-3-1:2013, IEC 62321-5:2013, IEC 62321-4:2013+A1:2017, IEC 62321-7-1:2015,  
IEC 62321-7-2:2017, IEC 62321-6:2015, IEC 62321-8:2017, ISO 17075-1:2017.

The technical documentation required to demonstrate that the product(s) meet(s) the requirement(s) of the aforementioned directive(s) has been compiled and is available for inspection by the relevant enforcement authorities.

The CE mark was first applied in: 2021

Product Description: 12V Digital Tyre Inflator  
Model number(s): CTC150  
Serial / batch Number: N/A  
Date of issue: 19/08/2021

Signed:

J.A. Clarke  
Director

CTC150/CE/Clarke.DOC.081921

Page 1 of 1



Herrn Hill Street, Lippington, Exeter, CN11 6 4LG

## DECLARATION OF CONFORMITY

This is an important document and should be retained.

We hereby declare that this product(s) complies with the following statutory requirement(s):

Electrical Equipment (Safety) Regulations 2016  
The Restriction of the Use of Certain Hazardous Substances in Electrical and Electronic Equipment Regulations 2012

The following standards have been applied to the product(s):

EN 60335-1:2012+A11:2014+A13:2017, EN 62233:2008, IEC 62321-2:2013, IEC 62321-1:2013,  
IEC 62321-3-1:2013, IEC 62321-5:2013, IEC 62321-4:2013+A1:2017, IEC 62321-7-1:2015,  
IEC 62321-7-2:2017, IEC 62321-6:2015, IEC 62321-8:2017, ISO 17075-1:2017.

The technical documentation required to demonstrate that the product(s) meet(s) the requirement(s) of the aforementioned legislation has been compiled and is available for inspection by the relevant enforcement authorities.

The UKCA mark was first applied in: 2021

Product Description: 12V Digital Tyre Inflator  
Model number(s): CTC150  
Serial / batch Number: N/A  
Date of issue: 19/08/2021

Signed:

J.A. Clarke  
Director

CTC150/UKCA/Clarke.DOC.081921

Page 1 of 1

# A SELECTION FROM THE VAST RANGE OF

# Clarke®

## QUALITY PRODUCTS



### **AIR COMPRESSORS**

From DIY to industrial, Plus air tools, spray guns and accessories.

### **GENERATORS**

Prime duty or emergency standby for business, home and leisure.

### **POWER WASHERS**

Hot and cold, electric and engine driven - we have what you need

### **WELDERS**

Mig, Arc, Tig and Spot. From DIY to auto/industrial.

### **METALWORKING**

Drills, grinders and saws for DIY and professional use.

### **WOODWORKING**

Saws, sanders, lathes, mortisers and dust extraction.

### **HYDRAULICS**

Cranes, body repair kits, transmission jacks for all types of workshop use.

### **WATER PUMPS**

Submersible, electric and engine driven for DIY, agriculture and industry.

### **POWER TOOLS**

Angle grinders, cordless drill sets, saws and sanders.

### **STARTERS/CHARGERS**

All sizes for car and commercial use.

## **PARTS & SERVICE:**

## **0208 988 7400**

### **Parts Enquiries**

[Parts@clarkeinternational.com](mailto:Parts@clarkeinternational.com)

### **Servicing & Technical Enquiries**

[Service@clarkeinternational.com](mailto:Service@clarkeinternational.com)

SALES: UK 01992 565333 or Export 00 44 (0)1992 565335

**Clarke** INTERNATIONAL Hemnall Street, Epping, Essex CM16 4LG  
[www.clarkeinternational.com](http://www.clarkeinternational.com)